

CSI/Model PS-185
Multimode Fiber Optic Power Sampler

Product Specifications

February 2008

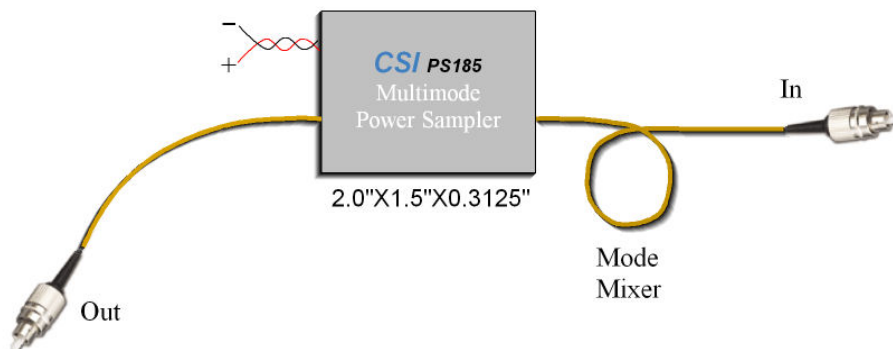
Input Connector: FC/PC
Output Connector: FC/PC
Optical Fiber: 50- μ m multimode

	Min	Nominal	Max
Wavelength Range(nm)	750	850	1000
Sensitivity (μ A/mW output)		30	
Insertion Loss (dB)		0.5	
End to End Fiber Length (cm)		100	

CSI model PS-185 is a multimode fiber optic power sampler normally calibrated for 850nm wavelength but works in the wavelength range of 750nm to 1000nm. In its typical test setup, the electrical terminals of the sampler are directly connected to an ammeter without any applied bias. PS-185 responds to the total optical power in the fiber. So, its reading in the presence of strong optical reflections is subject to interpretation. PS-185 is a stand-alone unit, but **CSI** offers its custom integration with other compatible products.

The specifications given in the table above are nominal and may be customized depending on the application. In particular, there is a tradeoff between sensitivity and insertion loss. Also there is a tradeoff between input mode insensitivity and insertion loss. For true input mode insensitivity a separate mode mixer unit needs to be added to PS-185.

California Scientific manufactures high-speed optoelectronic test equipment for the fiber optic community.



CSI California Scientific, Inc.